



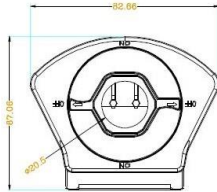
Qualidade & Garantia



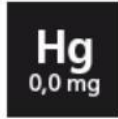
## IP65 Tri-proof LED Batten Light



LVD 2006/95/EC



- Super Brightness >110 ~130 lm/W .
- IP65 Tool-Less Plug connector .
- **LINKABLE** - 15~20 can be connected in Line. .
- **Microwave Sensor** .
- **Emergency Kit** integrated
- CE EMC ,LVD , RoHs approved .
- 3 or 5 Years warranty .

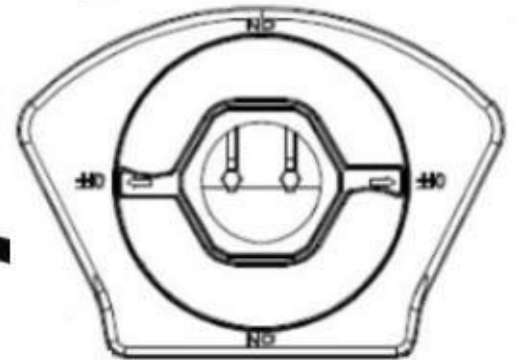
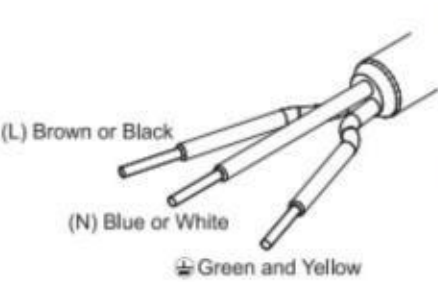
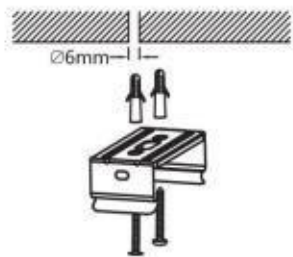


### Technical Data :

Length	120cm	120cm	150cm	150cm
LED Qty	192pcs 0.2W LED	288pcs 0.2W LED	240pcs 0.2W LED	360pcs 0.2W LED
Power Consumption	<b>36W±2%</b>	<b>54W±2%</b>	<b>45W±2%</b>	<b>65W±2%</b>
LED Initial Flux	28~30lm/LED	28~30lm/LED	28~30lm/LED	28~30lm/LED
Luminous Efficiency	<b>&gt;110LM/W</b>	<b>&gt;110LM/W</b>	<b>&gt;110LM/W</b>	<b>&gt;110/W</b>
Weight	960g	970g	1080g	1095g
Internal	Aluminum profile heat Sink inside +PCB			
Outer Casing	Full Plastic Casing			
SMD2835 LED Source	Epistar Chip , Packaing with TAIWAN Edison factory			
PF	>0.95			
CRI	>82Ra			
Input Voltage	AC90~260V , AC85~305V			
Light Source	SMD2835			
Beam Angle	>180°			
IP & IK Rating	IP65 , IK08			
Operation Temperature	-30~50°C			
Working Environment	Indoor use or Outdoor application			



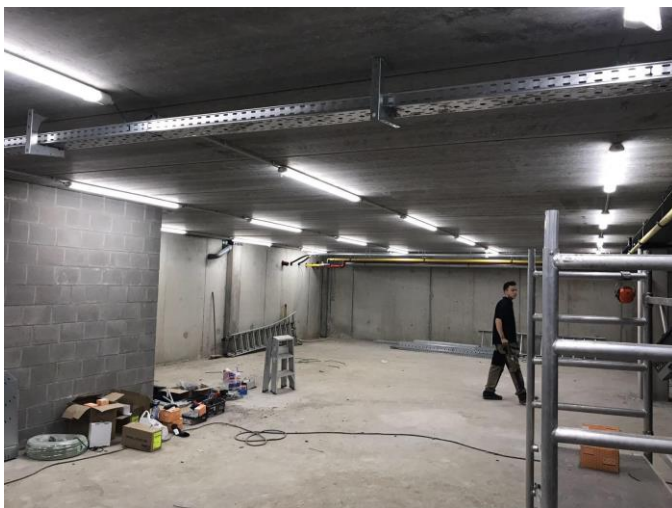
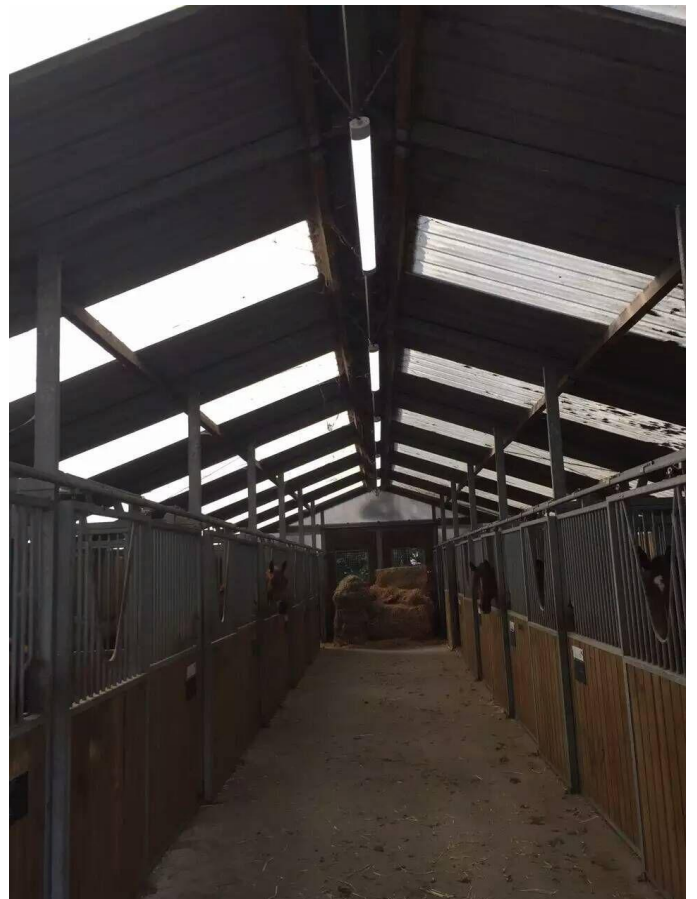
Tool-Less Plug connector - By using simple Tool-Less Plug Connector , you can connect this Lamps by using your projects' existing Cable directly . ( You can Rotate the End Cap to [ON] position to open End Cap , connect this Lamps by using your projects' existing Cable directly , then Rotate the End Cap to [OFF ] position to tighten the End Cap up with hand ) .



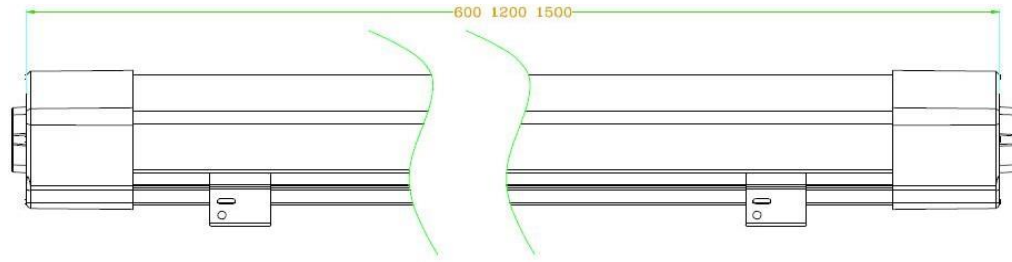
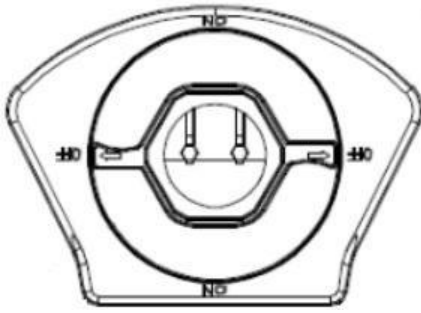




Qualidade & Garantia

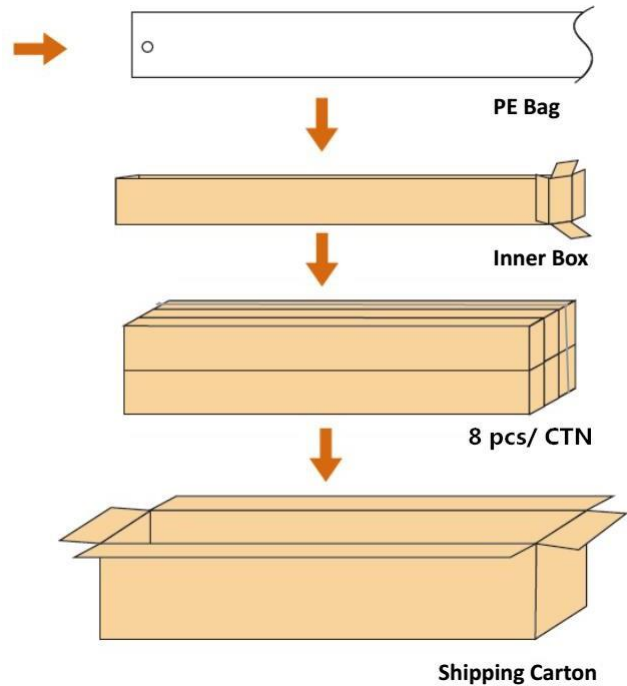


# Dimension



Size & Dimension	L	W	H
2FT	60cm	82.66mm	67.06mm
4FT	120cm	82.66mm	67.06mm
5FT	150cm	82.66mm	67.06mm

# Packaging Information



Size	Outer Carton Size	Qty/CTN	Gross Weight/CTN
2FT	710x270x210mm	8pcs/CTN	7.5KG
4FT	1310x270x210mm	8pcs/CTN	10.5KG
5FT	1610x270x210mm	8pcs/CTN	12.5KG